

EC-S-MB

Entry Level



Competence in dynamic weighing.

A Wipotec Brand

OS
CHECKWEIGHERS

Proven technology for standard applications

The EC-S-MB is the checkweigher for easy and uncomplicated weight checking of the Net content in packages [directive 76/211/EEC]. With an output of up to 130 weighing cycles per minute, it represents the standard system for automatic checkweighing. The checkweighers have the high level of

accuracy needed to meet requirements and can reject packages with incorrect weights out of the flow of production. A record is kept of each weighing. Production data can be printed either directly by a thermal printer or by means of the smartfile system. Production data is

made available for further processing on our portable data storage system in order to be post-processed on a PC.

A connection to a Centronics printer is also possible. For online data exchange, the checkweigher can be integrated into an existing production data network.

Basic equipment



Reliable checkweigher for:

- 100 % production monitoring of the Net content or E-merk
- Rejection of incorrectly weighed products with high separation precision
- Production documentation

Complete unit in stainless steel housing with infeed, weighing and outfeed conveyor as well as a sorting device

Type approval in many countries

Legal for trade

3 different weighing ranges

5 weight classes for classification

25 product parameter memories (PPS)

Simple, menu-guided operation with touch screen

Select from various menu languages (German, English, French, one of your choice¹⁾)

4 user levels (password protected)

3 different working height ranges

3 different conveyor widths and large selection of conveyor lengths

Simple belt and conveyor change, requires no tools

Maintenance-free drive motors

Max. production capacity

130 pieces/min (ppm)

"Transport mode only" function (indicated on the screen)

Flexible integration into production lines

Line synchronization with potential-free switch contacts/signals



smartfile



Options



APS statistics package for production documentation either with:

- an integrated paper strip printer
- an integrated smartfile system
- a customer-provided Centronics printer

50 product parameter memory (memory expansion)

Classifying and sorting light (triple)

Error light (single)

Transfer plate between the conveyors

Prepared for network integration

- Single transfer of actual weight via interface (optionally with:) RS 232c, RS 422, RS 485, TTY (current loop)
- ComScale NT

¹⁾ If available; special languages on request



EC-S-MB

Entry Level

Type	EC-S-MB1	EC-S-MB2	EC-S-MB3
Weighing range	[g] 0 ... 1,500	0 ... 3,750	0 ... 7,500
Accuracy ²⁾	[g] 0.2	0.5	1.0
Possible verification scale interval	[g] 0.2	0.5	1.0
Max. possible throughput ²⁾	[ppm] 130	130	80
Conveyor width	[mm] 150	200	300
Max. possible product width	[mm] 150	200	300
Max. product length in transport direction	[mm] 140/210/280	210/280	280/380
Sorting devices	Air blast for products up to 500 g Pusher for products above 500 g ³⁾		
Printer ⁴⁾	Built in printer for production documentation/smartfile/ Interface for external printer connection		
Temperature range	+5 ... 40 °C		
Electrical connection	~230 V/115 V; 50 Hz/60 Hz; 500 VA; L1, N, PE		
Pneumatic connection	6 bar		

²⁾ Depending on product shape, product behaviour, transportation speed and environmental conditions

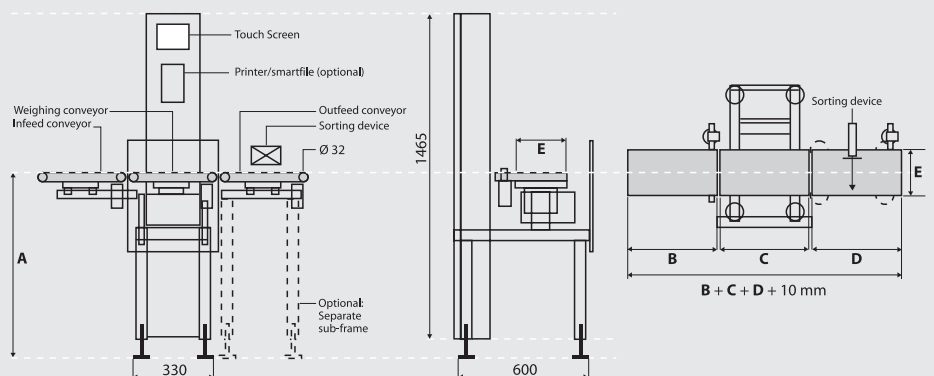
³⁾ Pusher for products over 1,000 g only in combination with a free-standing sub-frame

⁴⁾ Optional

Standard configuration:

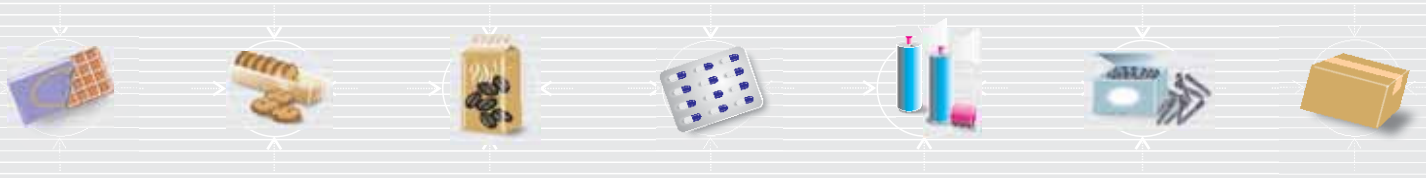
Stainless steel housing with integrated control system, display/control unit with touch screen, 3 transport conveyors (infeed, weighing and outfeed conveyor) and 1 sorting device, mounted on a sub-frame

Dimensions



	EC-S-MB1	EC-S-MB2	EC-S-MB3
A (Working height) [mm]	700-850	700-850	700-850
	[mm] 800-950	800-950	800-950
	[mm] 900-1,050	900-1,050	900-1,050
B (Infeed belt) [mm]	300/400	300/400/500	400/500/600 ⁵⁾
C (Weighing belt) [mm]	200/300/400	300/400	400/500
D (Outfeed belt) [mm]	300/400	300/400/500	400/500/600 ⁵⁾
E (Belt width) [mm]	150	200	300

⁵⁾ Only in combination with a free-standing sub-frame



OCS checkweighers cover all areas related to weighing and offer solutions for every kind of problem throughout industry.

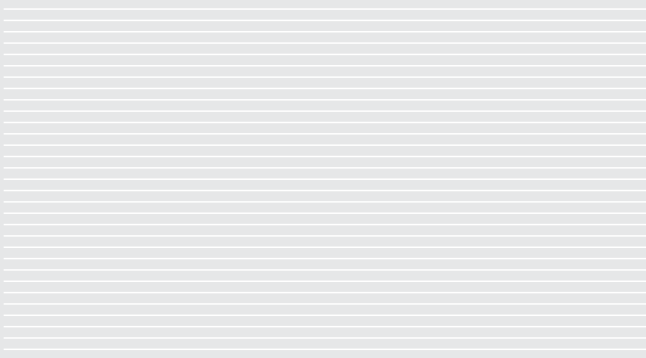
HC-Series
High-performance checkweighers for high-end applications



EC-M-Series
Standard checkweighers for mid-range applications



EC-S-MB
Entry level system for standard checkweighing applications



Close to you with our worldwide service and sales network

A Wipotec Brand

